

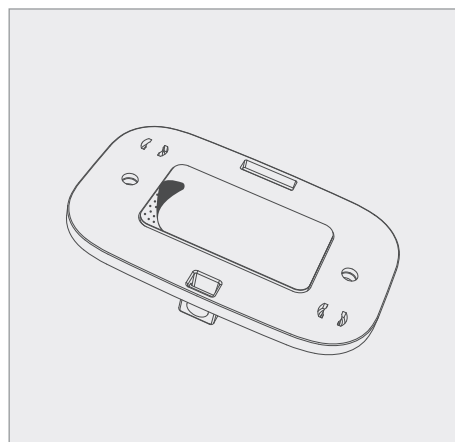
01 COMPONENTS

- 1 Main body
- 2 Bracket
- 3 AAA battery
- 4 Hexa wrench
- 5 Screw
- 6 Anchor bolt
- 7 Hexa screw
- 8 Double-sided sticker



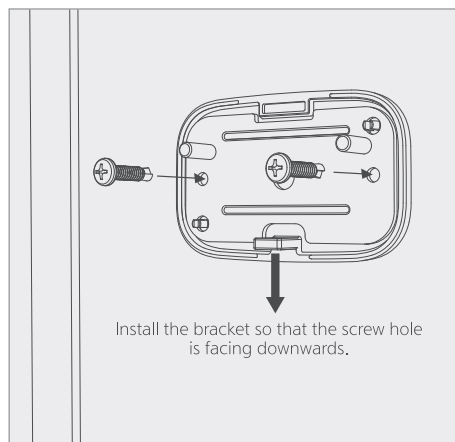
02 INSTALLATION

Press the two lower parts on each side of the main body to separate the bracket from the main body.



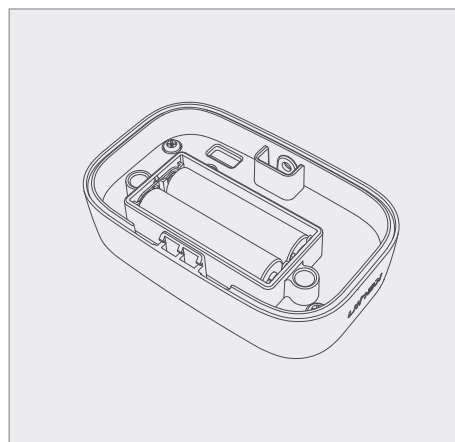
03 INSTALLATION

Attach the sticker to the backside of the bracket and stick it so that the screw hole is on the lower side.



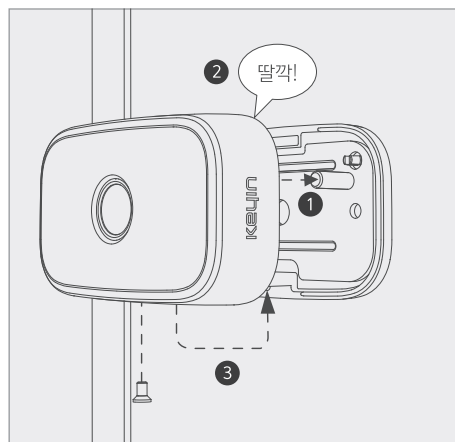
04 INSTALLATION (Optional)

Firmly fix the bracket with the screw.



05 INSTALLATION

Insert the batteries.
 * Once the batteries are inserted red lamp on the finger print sensor starts blinking, indicating registration standby mode.



06 INSTALLATION

Assemble the main body to the bracket, and fix it by fastening on the upper clasp and screwing on the bottom.



07 REGISTERING (Auto sync)

Scan the QR code for instructions on registering using the app.

* For those not using the app, go to Step 8, Registering (Manual).

08 REGISTERING (Manual)

Registering Plus FINGER to Keyin smart lock without the app (Plus FINGER must be connected to the door lock to register user fingerprints.)

01. Insert the battery or touch the fingerprint sensor to change the device mode to registration standby mode.

02. Registering/Deleting Plus FINGER

Registering	Smart Lock Password	>	51	>	1	>	
Deleting	Smart Lock Password	>	53	>	1	>	

03. Registering/Deleting user fingerprints

Registering	Smart Lock Password	>	31	>	User Number	>	Fingerprint input 3 times	>	
Deleting	Smart Lock Password	>	33	>	User Number	>		>	

09 SPECIFICATIONS & PRECAUTIONS

01. Product Spec

Product Type	Plus FINGER(KX0100E)
Size	86(W)X54(H)X27.6(D)mm
Rated Voltage	DC 3V
Operational Environment	Temperature : -10~50C Humidity : <95%
Battery	AAA Alkaline(LR03) Batteries x 2 6 months usage with 10 operations a day

* Battery lasting time may vary depending on battery lifetime.

02. Safety Precautions

- Installation in open environment with rain exposure, direct sunray, or too humid and salty places(beaches) is not recommended
- Disassembling the device can cause malfunction and can be dangerous
- Maintain the device clean, Do not spray water directly, Do not use chemical substances like benzene and alcohol to clean the device.
- Do not apply excessive shock to the device.

MEMO

MEMO

User Manual
 Plus FINGER

MSL-00031-01